

PART NO.	ENG. NO.	CKT SIZE	MATERIAL (SEE NOTE 1)
39-01-4030	5557-03R2	3	UL 94V-2
39-01-4031	5557-03R2-210	3	UL 94V-0
39-01-5039	5557-03R2-BL	3	UL 94V-2, BLACK
46999-0287	5557-03R2-400	3	UL 94V-0, BLACK

LEGEND

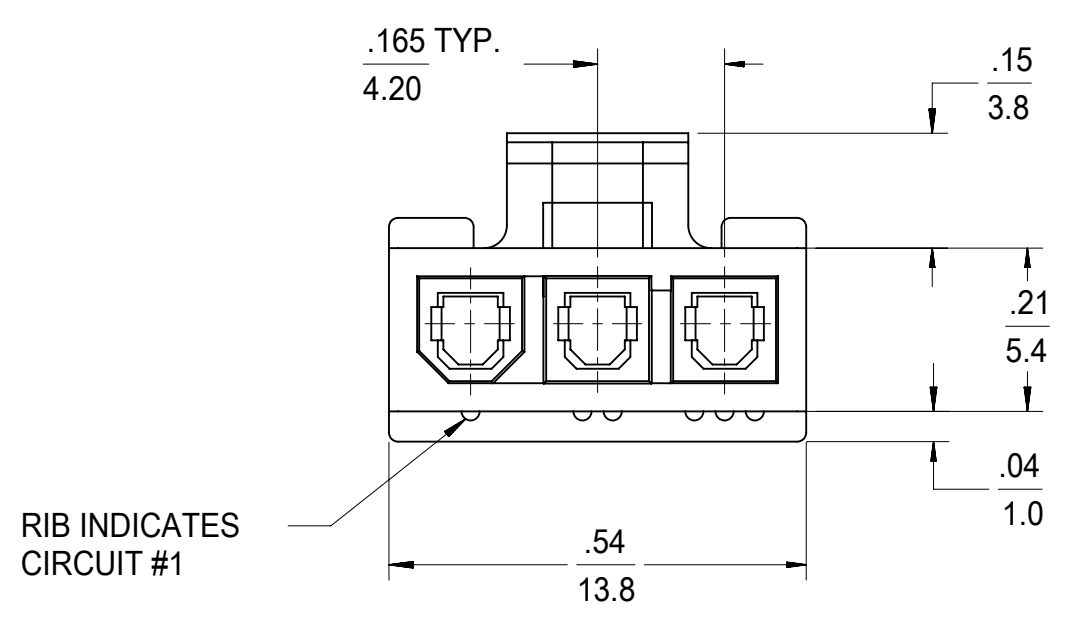
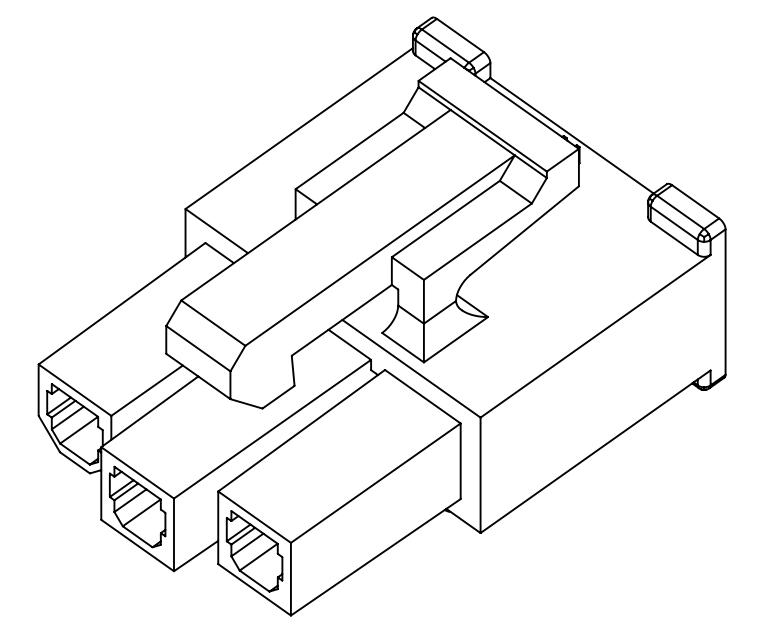
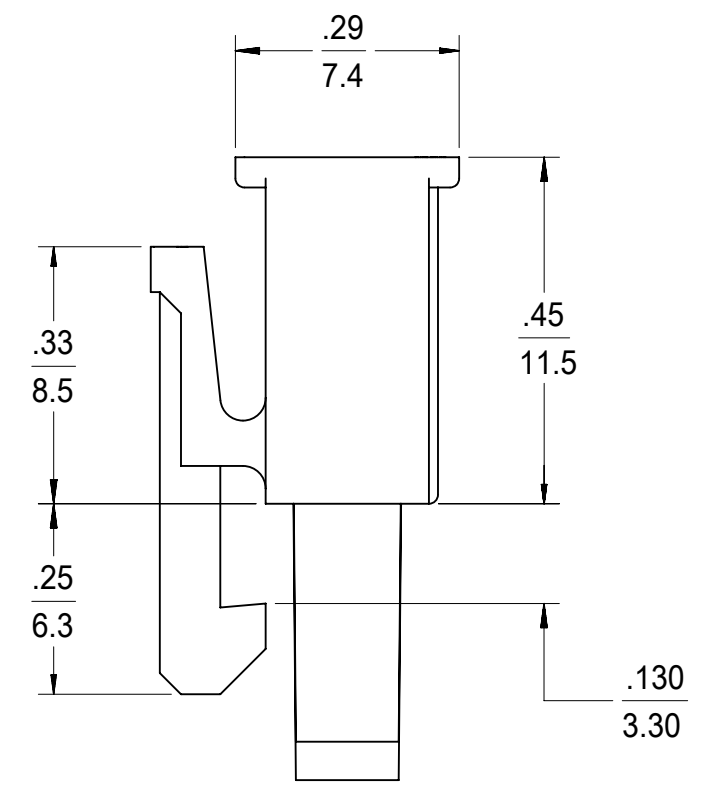
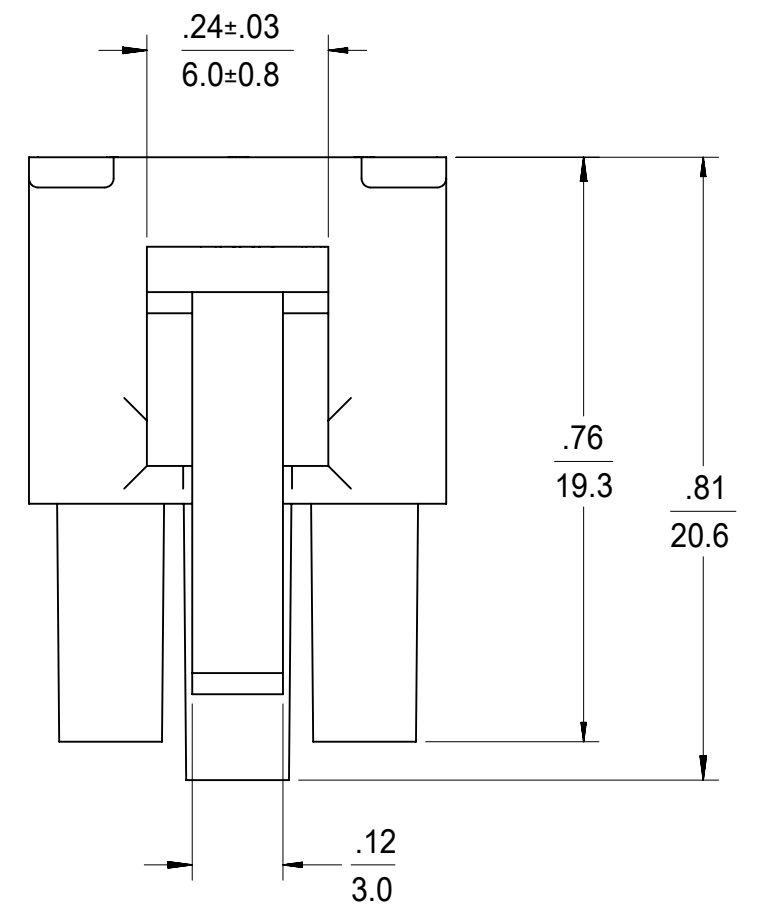
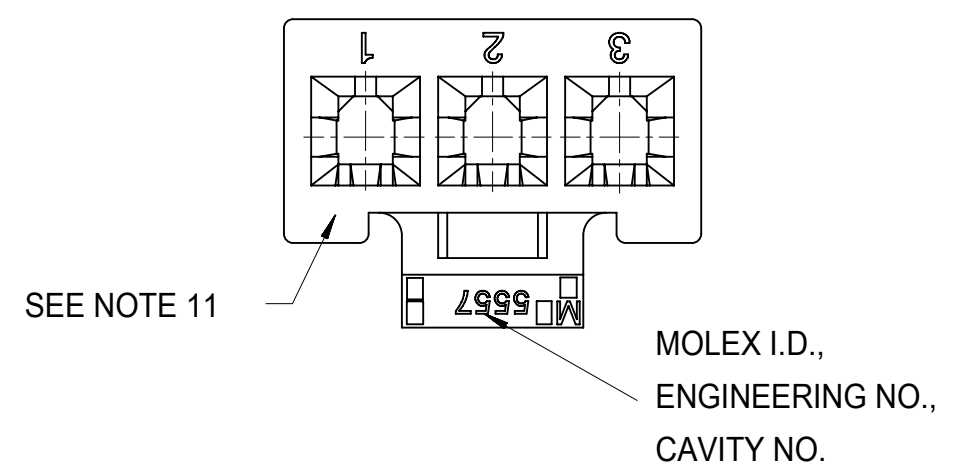
5557-03R2-***

CKT SIZE

RECEPTACLE

MATERIAL OPTION:
(SEE NOTE 1)

- NOTES:
- MATERIAL:
"BLANK"=NYLON 6/6, UL94V-2, LOW HALOGEN, COLOR: NATURAL
"210"=NYLON 6/6, UL94V-0, LOW HALOGEN, COLOR: NATURAL
"BL"=NYLON 6/6, UL94V-2, LOW HALOGEN, COLOR: BLACK
"400"=NYLON 6/6, UL94V-0, LOW HALOGEN, COLOR: BLACK
 - FINISH: NOT APPLICABLE
 - PRODUCT SPECIFICATION: PS-5556-001
 - PACKAGING: PK-5557-002
 - PART MATES WITH MOLEX RIGHT ANGLE HEADER #5569-03A*, VERTICAL HEADER #5566-03A3* AND PLUG #5559-03P*.
 - PART TO BE USED WITH MOLEX FEMALE TERMINAL #5556.
 - WHEN MATING WITH ANOTHER CONNECTOR, THE CENTER CIRCUIT WILL "MAKE FIRST AND BREAK LAST".
 - PART IS NOT DESIGNED FOR CURRENT SHARING.
 - CONNECTOR ASSEMBLIES ARE NOT TO BE MATED OR UNMATED WHILE CIRCUITS ARE LIVE.
 - WIRES ARE TO BE DRESSED IN SUCH A MANNER TO ALLOW THE TERMINALS TO FLOAT FREELY IN THE POCKET.
 - "MX" TRADEMARK MAY BE LOCATED ON LATCH OR SURFACE INDICATED. CAVITY NO. MAY BE LOCATED ON EITHER SIDE OF ENGINEERING NO. ON LATCH.
 - PART CONFORMS TO CLASS "B" REQUIREMENTS OF COSMETIC SPECIFICATION PS-45499-002.
 - BUBBLE IS ACCEPTABLE ON LATCH AREA.



THIS DRAWING CONTAINS INFORMATION THAT IS PROPRIETARY TO MOLEX ELECTRONIC TECHNOLOGIES, LLC AND SHOULD NOT BE USED WITHOUT WRITTEN PERMISSION									
DIMENSION UNITS		SCALE		CURRENT REV DESC:					
INCH		NTS		EC NO: 719028					
GENERAL TOLERANCES (UNLESS SPECIFIED)				DRWN: JERRYW8		2022/08/29		3 CIRCUIT RECEPTACLE, (MINI-FIT JR.) (MAKE-FIRST/BREAK-LAST)	
				CHK'D: XQZHANG		2022/09/01			
4 PLACES ±				APPR: XQZHANG		2022/09/01		PRODUCT CUSTOMER DRAWING	
3 PLACES ±				INITIAL REVISION:		DOCUMENT NUMBER		DOC TYPE DOC PART REVISION	
2 PLACES ± 0.25 ± 0.015				DRWN: GEP		1990/10/02		55570302-SD	
1 PLACE ± 0.38 ±				APPR: RAS		1990/10/02		PSD 000 A1	
0 PLACES ±				DRAFT WHERE APPLICABLE MUST REMAIN WITHIN DIMENSIONS		THIRD ANGLE PROJECTION		MATERIAL NUMBER	
ANGULAR TOL ± 0.5 °				DRAWING		SERIES		CUSTOMER	
				C-SIZE		5557		SEE CHART	
								GENERAL MARKET	
								SHEET NUMBER	
								1 OF 1	