

PART NO.	ENG. NO.	CKT SIZE	MATERIAL (SEE NOTE 1)
39-01-4030	5557-03R2	3	UL 94V-2
39-01-4031	5557-03R2-210	3	UL 94V-0
39-01-5039	5557-03R2-BL	3	UL 94V-2, BLACK
46999-0287	5557-03R2-400	3	UL 94V-0, BLACK

LEGEND

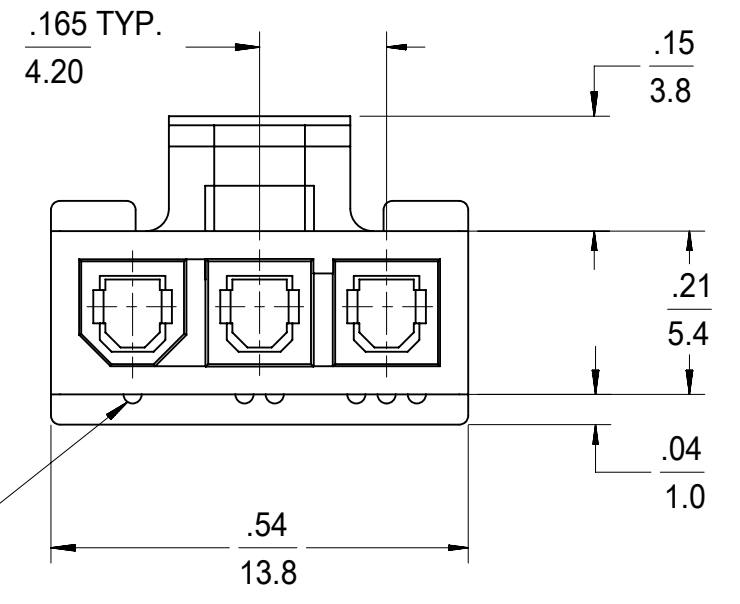
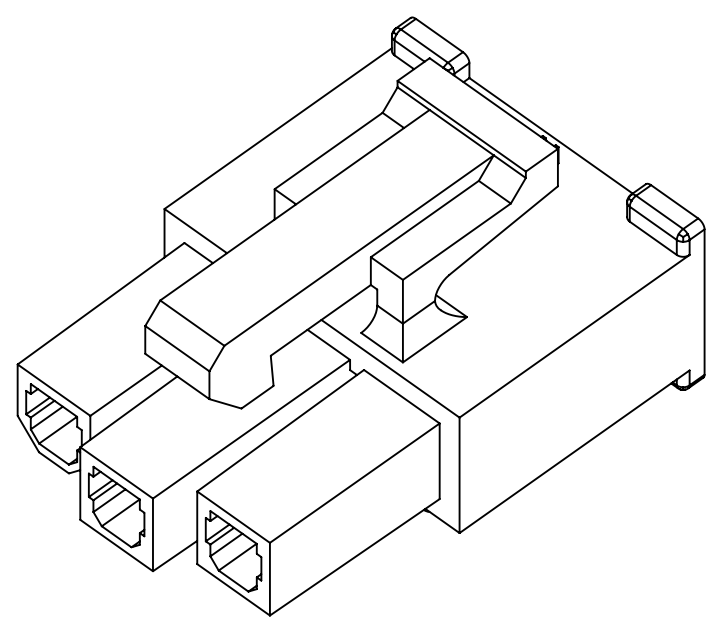
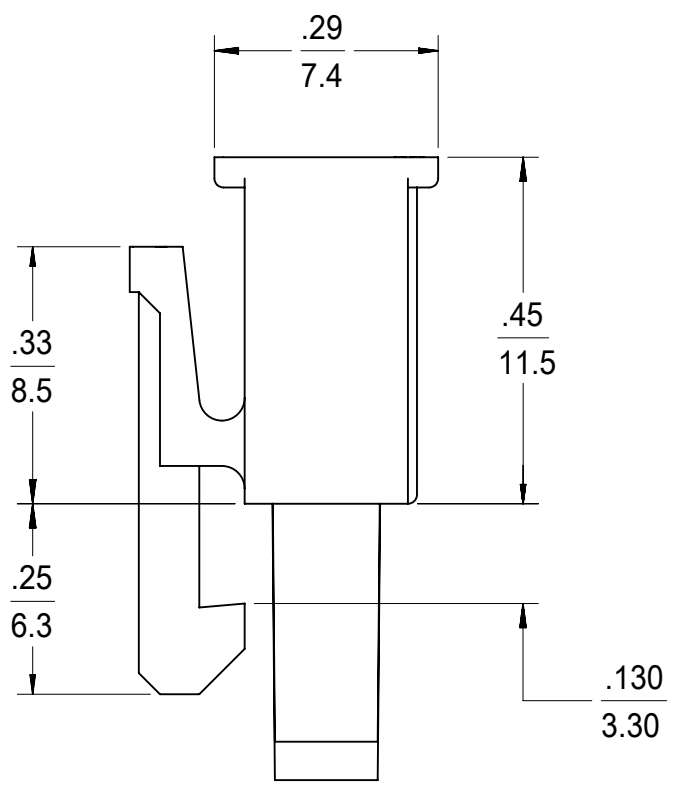
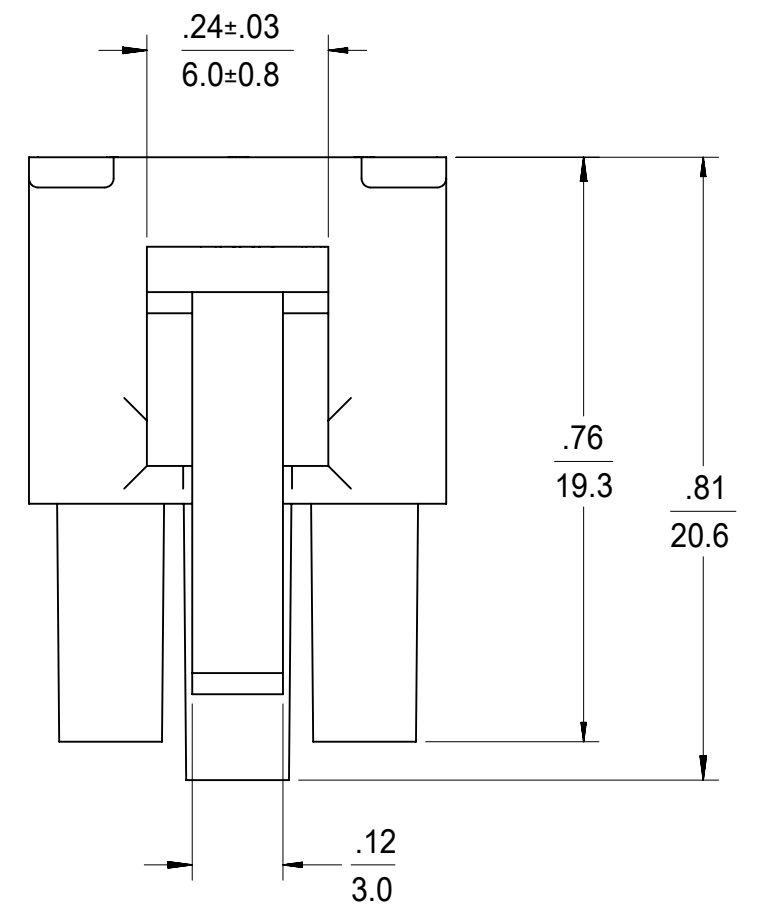
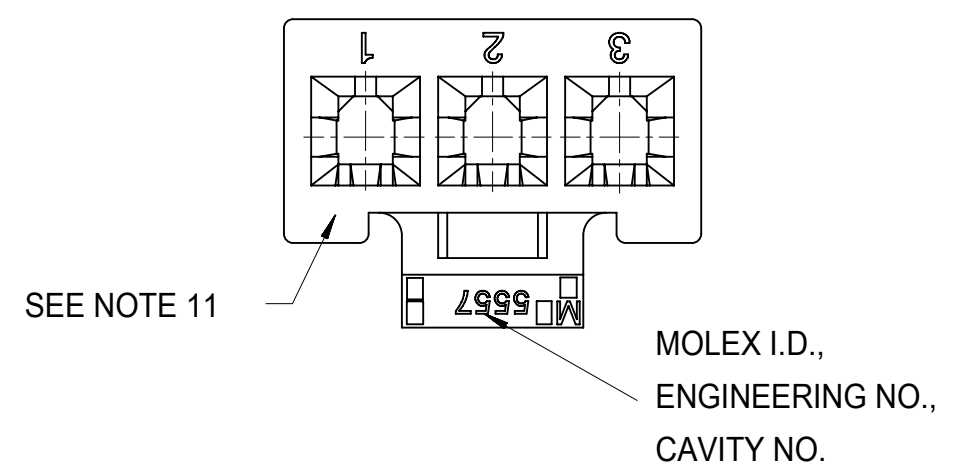
5557-03R2-***

CKT SIZE

RECEPTACLE

MATERIAL OPTION:
(SEE NOTE 1)

- NOTES:
- MATERIAL:
"BLANK"=NYLON 6/6, UL94V-2, LOW HALOGEN, COLOR: NATURAL
"210"=NYLON 6/6, UL94V-0, LOW HALOGEN, COLOR: NATURAL
"BL"=NYLON 6/6, UL94V-2, LOW HALOGEN, COLOR: BLACK
"400"=NYLON 6/6, UL94V-0, LOW HALOGEN, COLOR: BLACK
 - FINISH: NOT APPLICABLE
 - PRODUCT SPECIFICATION: PS-5556-001
 - PACKAGING: PK-5557-002
 - PART MATES WITH MOLEX RIGHT ANGLE HEADER #5569-03A*, VERTICAL HEADER #5566-03A3* AND PLUG #5559-03P*.
 - PART TO BE USED WITH MOLEX FEMALE TERMINAL #5556.
 - WHEN MATING WITH ANOTHER CONNECTOR, THE CENTER CIRCUIT WILL "MAKE FIRST AND BREAK LAST".
 - PART IS NOT DESIGNED FOR CURRENT SHARING.
 - CONNECTOR ASSEMBLIES ARE NOT TO BE MATED OR UNMATED WHILE CIRCUITS ARE LIVE.
 - WIRES ARE TO BE DRESSED IN SUCH A MANNER TO ALLOW THE TERMINALS TO FLOAT FREELY IN THE POCKET.
 - "MX" TRADEMARK MAY BE LOCATED ON LATCH OR SURFACE INDICATED. CAVITY NO. MAY BE LOCATED ON EITHER SIDE OF ENGINEERING NO. ON LATCH.
 - PART CONFORMS TO CLASS "B" REQUIREMENTS OF COSMETIC SPECIFICATION PS-45499-002.
 - BUBBLE IS ACCEPTABLE ON LATCH AREA.



THIS DRAWING CONTAINS INFORMATION THAT IS PROPRIETARY TO MOLEX ELECTRONIC TECHNOLOGIES, LLC AND SHOULD NOT BE USED WITHOUT WRITTEN PERMISSION									
DIMENSION UNITS		SCALE		CURRENT REV DESC:				molex	
INCH		NTS		EC NO: 719028					
GENERAL TOLERANCES (UNLESS SPECIFIED)				DRWN: JERRYW8				2022/08/29	
4 PLACES		±		CHK'D: XQZHANG				2022/09/01	
3 PLACES		±		APPR: XQZHANG				2022/09/01	
2 PLACES		± 0.25		INITIAL REVISION:				DOCUMENT NUMBER	
1 PLACE		± 0.38		DRWN: GEP				55570302-SD	
0 PLACES		±		APPR: RAS				PSD 000 A1	
ANGULAR TOL		± 0.5 °		THIRD ANGLE PROJECTION		DRAWING		SERIES	
DRAFT WHERE APPLICABLE MUST REMAIN WITHIN DIMENSIONS				C-SIZE		5557		MATERIAL NUMBER	
THIS DRAWING REPLACES DRAWING SD-5557-03R2*				SEE CHART		GENERAL MARKET		SHEET NUMBER	
				1 OF 1					