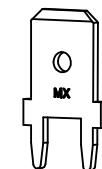
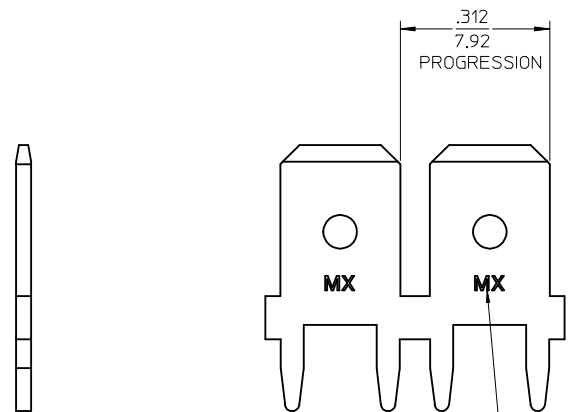
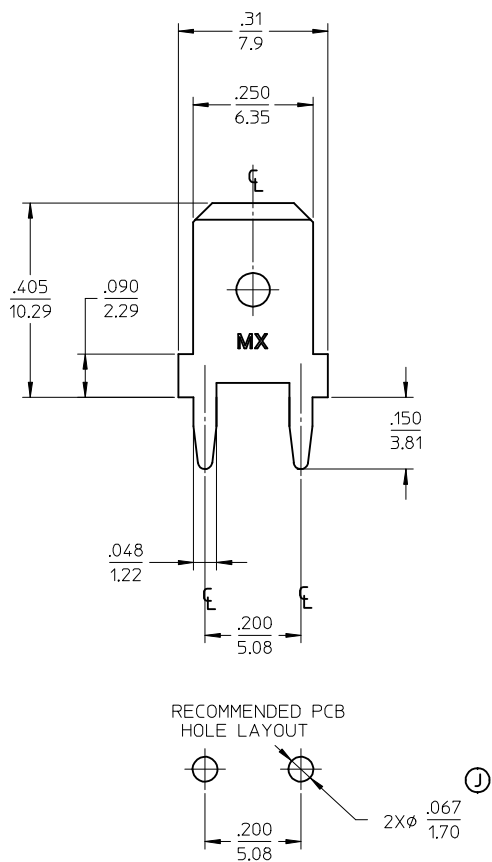
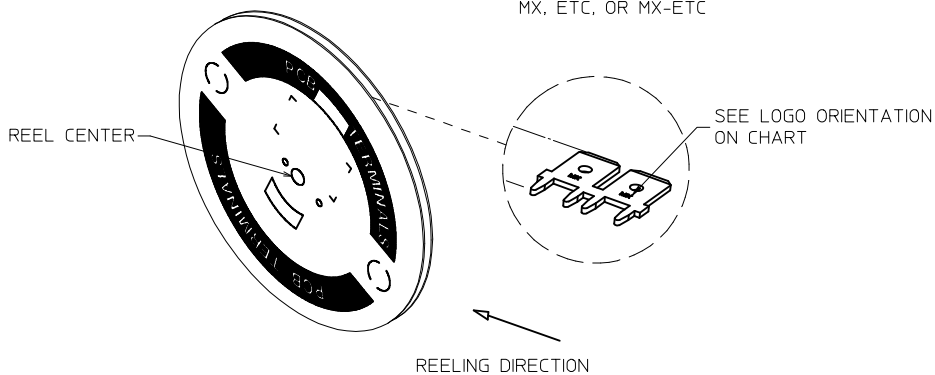


MATERIAL NUMBER	ENGINEERING NUMBER	CARRIER	LOGO ORIENTATION
197054303	19705-4303	STRIP	IN
197054305	19705-4305	STRIP	OUT
197054301	19705-4301	LOOSE	-



SCALE 3:1



- NOTES:
1. BARE EDGES PERMISSIBLE AT CARRIER CUT OFF.
 2. MATERIAL: BRASS C26000 (.032/0.81) THICK.
 3. TAB CONFORMS TO NEMA SPECIFICATIONS.
 4. ALL DIMENSIONS AND NOTES REFERENCE UNLESS OTHERWISE NOTED.
 5. PLATING: MATTE TIN 150MN/3.81mm MINIMUM THICKNESS OVER NICKEL 50MN/1.25mm MINIMUM THICKNESS.
 6. REF: 9,000 MINIMUM PARTS PER REEL, REEL HAS 14" DIAMETER REEL WITH A 1.25" DIAMETER CENTER HOLE.
 7. PART IS ROHS COMPLIANT.

REVISED PCB HOLE DIA EC NO: ETC2007-0403 DRW:HEHLE 2007/05/14 CHKD: JMACNEIL 2007/05/14 APPR: JMACNEIL 2007/05/15	QUALITY SYMBOLS ▽=0 ▽=0	GENERAL TOLERANCES (UNLESS SPECIFIED)		DIMENSION STYLE IN/MM		SCALE 5:1	DESIGN UNITS INCH	THIRD ANGLE PROJECTION	
		mm	INCH	DRAWN BY EDB	DATE 11/08/96	TITLE QUICK DISCONNECT PCB MOUNTABLE .250 X .032 TAB			
DESCRIPTION REV J	4 PLACES ± --- ± ---	3 PLACES ± --- ± .005	2 PLACES ± 0.13 ± .01	1 PLACE ± 0.25 ± ---	APPROVED BY RWD	DATE 11/08/96	MATERIAL NO. SD-19705-430		
	ANGULAR ±1/2°				MATERIAL NO. SD-19705-430		DOCUMENT NO. SD-19705-430		
DRAFT WHERE APPLICABLE MUST REMAIN WITHIN DIMENSIONS				SIZE C	THIS DRAWING CONTAINS INFORMATION THAT IS PROPRIETARY TO MOLEX INCORPORATED AND SHOULD NOT BE USED WITHOUT WRITTEN PERMISSION				
				SEE CHART		MOLEX INCORPORATED		SHEET NO. 1 OF 1	