

DWG. NO. SD-35328-002

SIMILAR ITEM

PROJECT NO.

B

DO NOT SCALE DRAWING
DIMENSION IN METRIC

8 7 6 5 4 3 2 1

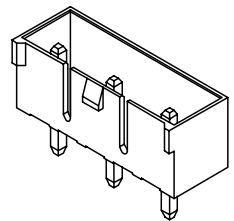
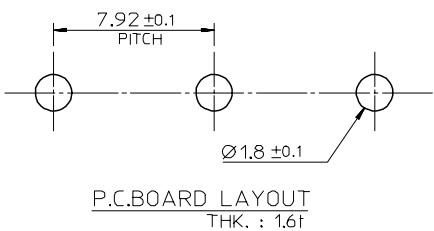
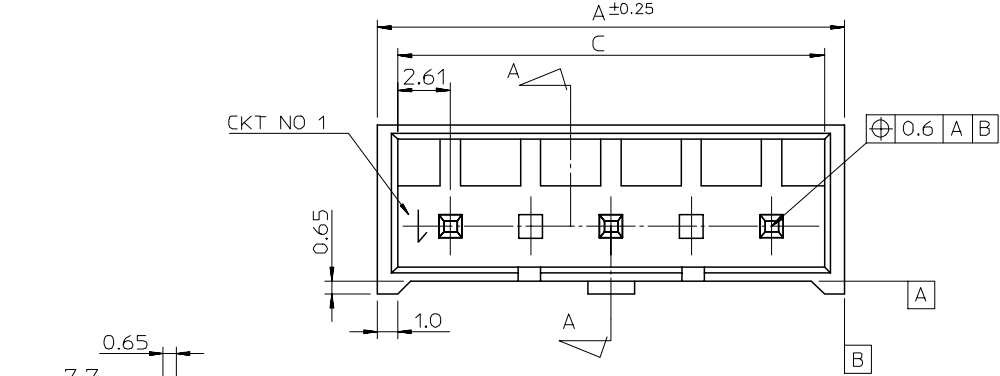
F

E

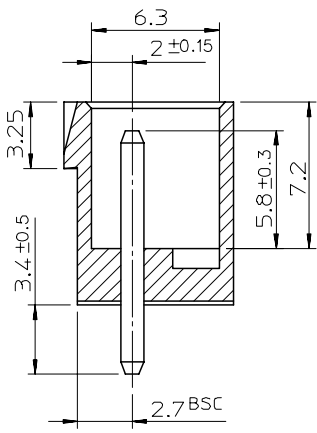
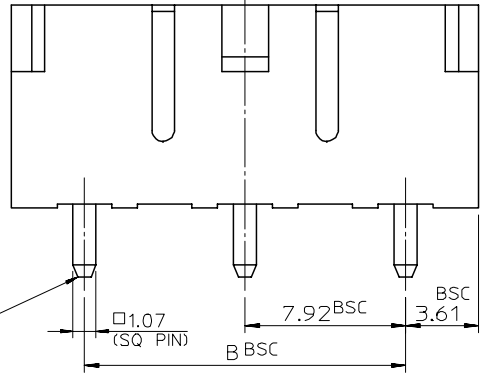
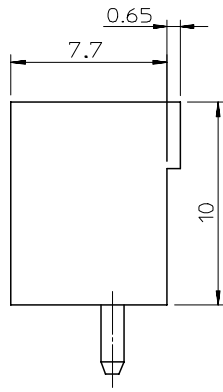
D

B

A



ISOMETRIC VIEW



SECTION A-A

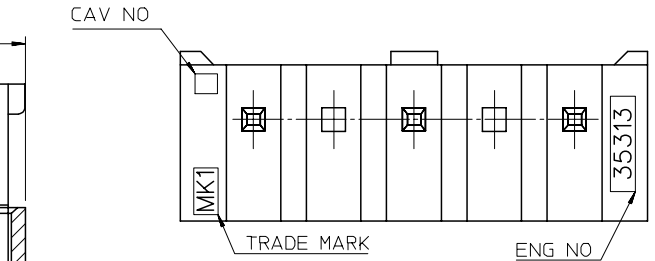
NOTE

- 1. MATERIAL
WAFER : NYLON 66, 20% GLASS FILLED, UL94V-0
PIN : BRASS, TIN PLATED
- 2. MATED WITH : 35156-****

LEGEND

- 35328-xx 1*
- COLOR : 0 - NATURAL
1 - BLACK
2 - RED
3 - YELLOW
4 - BLUE
- CKT NO.(02,03,04...)

0.6 A B



MATED VIEW

44.82	39.6	46.82	35328061*	35328-061*	6
36.9	31.68	38.9	35328051*	-051*	5
28.98	23.76	30.98	35328041*	-041*	4
21.06	15.84	23.06	35328031*	-031*	3
13.14	7.92	15.14	35328021*	35328-021*	2
C	B	A	MAT'L NO.	ENG NO.	CKT NO.

REVISED	QUALITY SYMBOLS
ECN NO. KOR2006-0105	MAJOR
DRWN: K.S.KIM 060323	CRITICAL
CHK: K.S.KIM	
APPR: Y.Soo.KIM	
DESCRIPTION	
REV	

GENERAL TOLERANCES: (UNLESS SPECIFIED)	
4 PLACES	±0.
3 PLACES	±0.
2 PLACES	±0.2
1 PLACE	±0.2
ANGULAR: ± 2 °	
DRAFT WHERE APPLICABLE MUST REMAIN WITHIN DIMENSIONS	

SCALE	DESIGN UNITS
3.5-1	mm INCH
DRAWN BY & DATE	
H.S.SHIN (930128)	
CHECKED BY & DATE	
Y.Soo.KIM	
APPROVED BY & DATE	
C.W.LEE	
CAD FILENAME	

THIRD ANGLE PROJECTION		DIMENSIONS:		SHT	REV
		mm INCH			
		mm ONLY		REVISE ON CAD ONLY	
TITLE:					
7.92 PITCH W/B CONN. WAFER ASS'Y (WITH LOCK)					
MOLEX INCORPORATED					
MATERIAL NO.		DRAWING NO.		SHEET NO.	
SEE TABLE		SD-35328-002		1 OF 1	
THIS DRAWING CONTAINS INFORMATION THAT IS PROPRIETARY TO MOLEX INCORPORATED AND SHOULD NOT BE USED WITHOUT WRITTEN PERMISSION.					SIZE
					B

8 7 6 5 4 3 2 1 KOREA MX-A3